

Modified Valve Covers

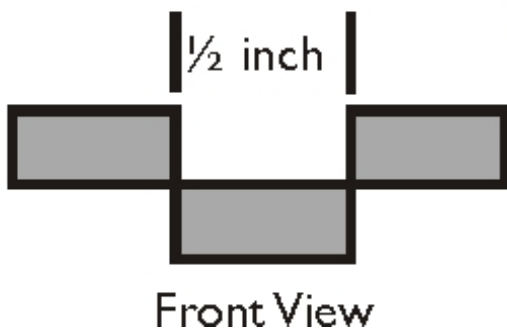
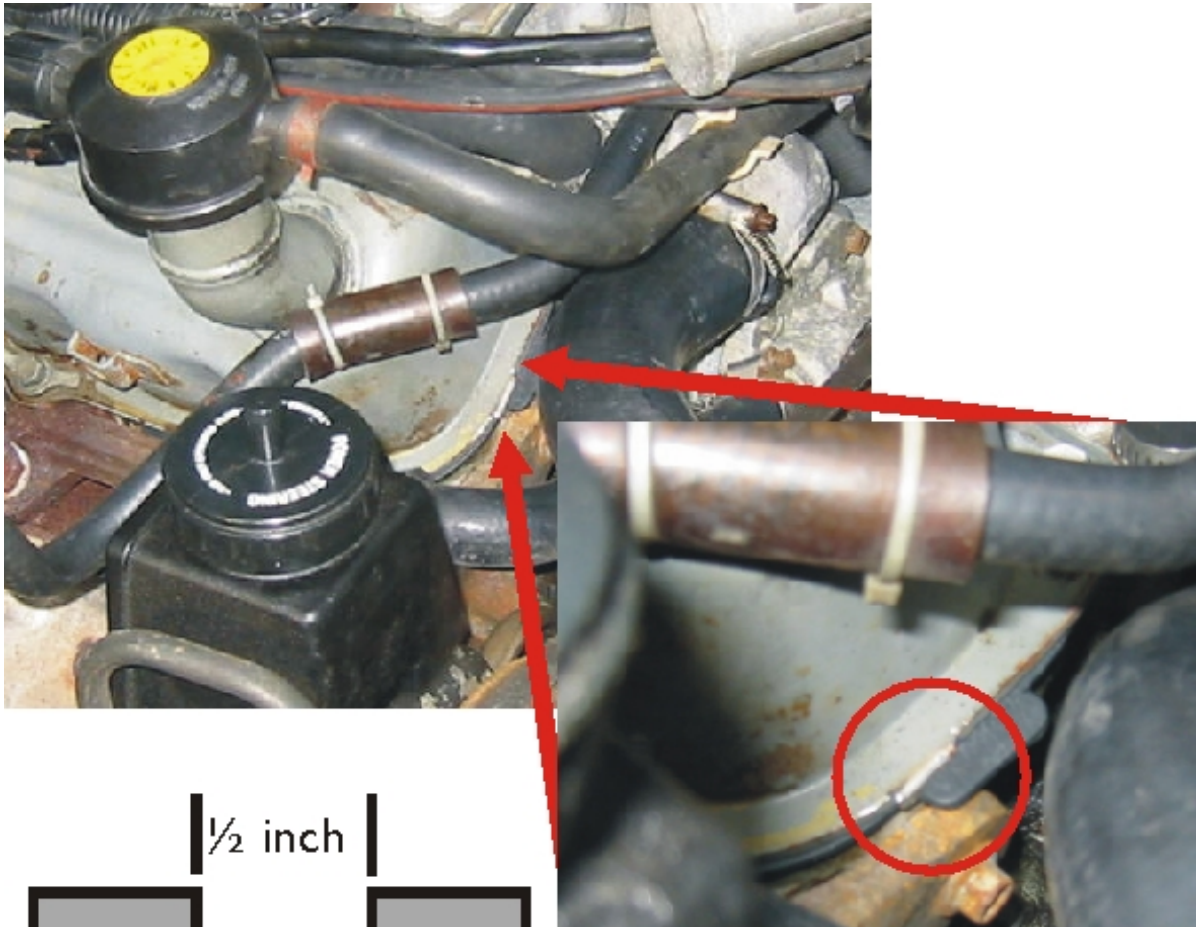
Cheaper valve cover gaskets often leak, so Felpro and probably others came out with a pricey silicone gasket with a metal core.

The problem is that the cheaper cork or rubber gaskets are squeezed out one or both ends. Slow, careful use of silicone sealer will prevent this. Those of you with shorter attention-spans, read on...

It's possible to modify the cover to prevent the gasket from squeezing out and save quite a few dollars.

Cut slots in the metal and bend tabs down to bracket the tab on each end of the gasket.

These covers were done in 2003 and haven't leaked since.



[INDEX](#)

